



# KAFF

## BUILT-IN KITCHEN ACCESSORIES, HARDWARE AND SINKS





# INDEX

## Built-in kitchen storage systems

|   |    |
|---|----|
| Series <b>ROLF</b> (Pantry Storage Systems, Corner Storage System & Pullout Storage System) | 2  |
| Pull Out Larder Systems   | 5  |
| Pantry Storage Systems  | 6  |
| Mega Pantry   | 8  |
| Pull Out Systems  | 10 |
| Corner Storage Systems  | 12 |
| Over-the Counter Systems  | 15 |
| Under the Sink Systems  | 15 |
| SS Baskets  | 16 |
| Fitments  | 16 |

## Hardware and drawer systems

### **KBOX**

|  |    |
|--|----|
|  | 17 |
| Double Wall Standard Drawer 84mm Height        |    |
| Double Wall Single Gallery Drawer 167mm Height |    |
| Double Wall Double Gallery Drawer 199mm Height |    |

### **HBOX**

|                                 |    |
|---------------------------------|----|
|                                 | 19 |
| Slim Wall Drawer 100mm Height   |    |
| Double Wall Drawer 183mm Height |    |
| Double Wall Drawer 215mm Height |    |

### **HINGES**

|   |    |
|---|----|
|   | 20 |
| 3D Hinge: Clip on Soft Close                  |    |
| Clip on Nickel Plated Soft Close Hinge 105°   |    |
| Clip on Stainless Steel Soft Close Hinge 105° |    |
| Clip on Soft Close Hinge 175°                 |    |
| Clip on Soft Close Corner Hinge               |    |
| Clip on Soft Close Hinge                      |    |
| Soft Close Hinge                              |    |
| Clip on Auto Close Hinge                      |    |
| Corner Hinge 35mm Dia                         |    |

### **GAS SPRING**

|  |    |
|--|----|
|  | 24 |
|--|----|

### **BALL BEARING SLIDES**

|   |    |
|---|----|
|   | 25 |
| Ball Bearing Runners 45kg Zinc - KTP & KTPB (1.2x1.2x1.5 mm)        |    |
| Full Extension Telescopic Runners - KTB & KTX (1.0x1.0x1.2 mm)      |    |
| Ball Bearing Telescopic Runners - ZTP & BTP (1.0x1.0x1.2 mm)        |    |
| Full Extension Soft Close Telescopic Runners - KTSC (1.2x1.2x1.5mm) |    |

### **SINKS**

|                         |    |
|-------------------------|----|
| Stainless steel sinks   | 28 |
| Granite Sinks           | 33 |
| Recommended Accessories | 35 |



## Series **ROLF**

(Pantry Storage Systems, Corner Storage System & Pullout Storage System)



### Tall Dual Pantry

- RLTD600** : Dual Pantry unit with soft close
- : Grey finish, 12 metal baskets
- Loading capacity : Upto 60 kg
- Cabinet width : 600mm (outer)
- Cabinet Height : 1800- 1830 mm

### Tall Single Large Pantry

- RLSP600** : Pantry unit with soft close
- : Grey finish, Large 6 metal baskets
- Loading capacity : Upto 60 kg
- Cabinet width : 600mm (outer)
- Cabinet Height : 1800-1830 mm

- RLSP450** : Pantry unit with soft close
- : Grey finish, Large 6 metal baskets
- Loading capacity : Upto 60 kg
- Cabinet width : 450mm (outer)
- Cabinet Height : 1800 -1830 mm



Series **ROLF**

## Swing Corner

**RLSW 45R** (Right opening)

**RLSW 45L** (Left opening)

Swing corner storage with soft close

Grey finish, 2 metal baskets

Loading capacity : Upto 50 kg

Cabinet width : 900 mm (Outer)

Cabinet door width : 450mm



## 3/4 Round Carousel

**RLSC 934**

Carousel Corner storage with soft close

Gray finish, 2 metal baskets

Cabinet width : 900mm (outer)

Loading capacity : upto 50 kg

Cabinet door width : 450 mm

## Magic Corner

**RLMC 45R** (Right opening)

**RLMC 45L** (Left opening)

Magic corner storage with soft close

Grey finish, 4 metal baskets

Loading capacity : Upto 50 kg

Cabinet width : 600 mm (Outer)

Cabinet door width : 450mm





Series **ROLF**

## Dual Corner System

### RLDC 450

Dual Corner storage with soft close

Gray finish, 4 metal baskets

Cabinet width : 900mm (outer)

Loading capacity : upto 50 kg

Cabinet door width : 450 mm



## Bottle Pull Out (Side Mounted)

**RLBP 150** : Bottle pull out with soft close

: Grey finish, 2 metal baskets

: Cabinet width : 150mm (outer)

**RLBP 200** : Bottle pull out with soft close

: Grey finish, 2 metal baskets

Cabinet width : 200mm (outer)

**RLBP 300** : Bottle pull out with soft close

: Grey finish, 2 metal baskets

Cabinet width : 300mm (outer)

## Pullout Larder System



## Pull Out Short Larder

(Cabinet width 450 mm)

|                     |  |
|---------------------|--|
| <b>K 900 (M)</b>    | : Frame only                           |
| +                   |  |
| <b>K 900 SC (M)</b> | : Heavy duty mechanism with soft close |
| +                   |  |
| <b>K 900 (B)</b>    | : 4 wire base baskets                  |

Complete Set

Loading capacity : Upto 100 kg

Cabinet Height : 1200-1500 mm



## Pantry Storage Systems



### Tall Pantry Single

(Cabinet width 450 mm)

**K 915 SC (M)** : Heavy duty mechanism with soft close

+

**K 915 (B)** : 10 wire base baskets

Complete Set

Cabinet Height : 1900-2200 mm

**ATP45SFW**

+

**ATP45WB**

Complete Set

: Mechanism and frame with soft close

: Tall pantry unit with 12 wire Base Basket, Chromed flat line

**ATP45SF**

+

**ATP45SB**

Complete Set

: Mechanism and frame with soft close

: Tall pantry unit with 12 Solid Base Basket, Chromed flat line, Anti Skid , Wooden Base, Grey Colour

Loading capacity : Upto 60 kg

Cabinet Height : 1830 mm



## Tall Pantry Single

- ATP60SF** : Mechanism and frame with soft close  
**+**  
**ATP60SB** : 12 Solid Base Basket, Chromed flat line, Anti Skid Wooden Base, Grey colour
- Complete Set
- Loading capacity : Upto 60 kg
- Cabinet Height : 1830 mm



## Short Pantry Single

(Cabinet width 450 mm)

- K 910 SC (M)** : Heavy duty mechanism with soft close  
**+**  
**K 910 (B)** : 8 wire base baskets

Complete Set

(Cabinet width 600 mm)

- K 911 SC (M)** : Heavy duty mechanism with soft close  
**+**  
**K 911 (B)** : 8 wire base baskets

Complete Set

Loading capacity : Upto 48 kg

Cabinet Height : 1200-1500 mm



## Mega Pantry

(Cabinet width 900mm)

**MPNSC WB** : Pantry double pull out unit,  
36 wire base basket

Loading capacity : Upto 150 kg

Cabinet Height : 1900-2200mm

## Double Pantry

(Cabinet width 900mm)

**K1/302 SS** : Pantry double pull  
out unit, 16 wire  
base basket

Loading capacity : Upto 96 kg

Cabinet Height : 1200-1350mm





## Pull Out System



### Tall Larder Pull out (for Bottles)

(Cabinet width 150mm)

**KLRDSC15** : Heavy duty mechanism with soft close 6 Wire base basket

Loading capacity : Upto 50 kg

Cabinet Height : 1900-2200 mm

### Bottle Pull Out

(Cabinet width 150mm)

**K 203 SC (M)** : Mechanism pull out unit bottom mounted with soft close

+

**K 203 (B)** : 2 wire base baskets with soft close

Complete Set

(Cabinet width 300mm)

**K 204 SC (M)** : Mechanism pull out unit bottom mounted with soft close

+

**K 204 (B)** : 2 wire base baskets with soft close

Complete Set



## Side Pull Out (Side Mounted)

(Cabinet width options 150, 200, 300 mm)

- K 200 SP (M) : Mechanism with soft close
- K 200 15 (SB) : 2 Solid base baskets
- K 200 20 (SB) : 2 Solid base baskets
- K 200 30 (SB) : 2 Solid base baskets



## Pull Out Grain Trolley

(Cabinet width 600 mm)

**K 217 SC (M)** : Mechanism with soft close

**KD 217 (B)** : 1 Deco mica baskets

Loading Capacity : Upto 35 kg

Complete Set



## Swing Corner Storage Systems



### Swing Corner

(Cabinet width 1200 mm)

**KSC LDSC60** (Left opening)

**KSC RDSC60** (Right opening)

Swing tray with solid base and soft close

Cabinet door width : 600 mm

Loading capacity : Upto 60 kg

(Cabinet width 900 mm)

**ASW45R** (Right opening)

**ASW45L** (Left opening)

With 2 solid basket, Chromed Flat line Frame with Anti Skid matt pasted on Wooden base, Grey colour frame

Cabinet door width : 450 mm

Loading capacity : 60 kg



## Dual Corner System



### ADC45

(Cabinet width 800mm - 900mm)

With solid base 4 basket, Chromed Flat line Frame with Anti Skid matt pasted on Wooden base, Grey colour Frame

Cabinet door width : 450 mm

Loading capacity : 60 kg



## Carousel



### 3/4 Carousel

(Cabinet width : 900 x 900 mm)

#### **KCS 430**

Heavy duty carousel

Cabinet door width : 295 mm

Load capacity : Upto 50 kg

### 1/2 Round Carousel

(Cabinet width : 1050 mm)

#### **KCS 425**

Heavy duty carousel

Cabinet door width : 450 mm

Load capacity : Upto 50 kg





## Over The Counter Systems



### Dish Rack (Without Cabinet)

The Drainer can hold upto 6 Thalys & 10 Plates and the bottom mesh is for holding utensils like spoons, forks, cups, bowls, glass, knives, etc.

**ADR60** (Cabinet width - 600 mm)  
Dish rack with drip tray-SS

**ADR90** (Cabinet width - 900 mm)  
Dish rack with drip tray-SS

## Under The Sink System Detergent Rack



**KD 215 :**  
(Cabinet width : 300 mm )  
• Pull out detergent rack  
• Basket: 2 deco mica basket



**ADR30 :**  
(Cabinet width : 300 mm )  
• Portable Detergent Rack  
• Coated with multi-layer chrome plating that is tested to ensure a rust free life of the product.  
• Equipped with 2 equal shelves  
• Bottom mounted is designed to ensure easy installation

## Waste Bin (Cabinet width : 300 mm)



**AWB 30**  
• Designed for the ultra-modern kitchen  
• Loading capacity - 42 ltrs.  
• Quick Installation,  
• Full extension of slide for easy access to the bucket

## Towel Holder Cabinet width : 150mm



**KTWH BPW15:**  
Pull out towel holder



## Stainless steel wire baskets (without channel)

### (Height 100mm & Depth 508mm)

| Code               | Basket width | Cabinet width |
|--------------------|--------------|---------------|
| <b>KB 45 100</b> : | 380mm        | 450mm         |
| <b>KB 50 100</b> : | 430mm        | 500mm         |
| <b>KB 55 100</b> : | 480mm        | 550mm         |
| <b>KB 60 100</b> : | 530mm        | 600mm         |
| <b>KB 90 100</b> : | 830mm        | 900mm         |



### (Height 150mm & Depth 508mm)

| Code               | Basket width | Cabinet width |
|--------------------|--------------|---------------|
| <b>KB 45 150</b> : | 380mm        | 450mm         |
| <b>KB 50 150</b> : | 430mm        | 500mm         |
| <b>KB 55 150</b> : | 480mm        | 550mm         |
| <b>KB 60 150</b> : | 530mm        | 600mm         |
| <b>KB 90 150</b> : | 830mm        | 900mm         |

### (Height 200mm & Depth 508mm)

| Code               | Basket width | Cabinet width |
|--------------------|--------------|---------------|
| <b>KB 45 200</b> : | 380mm        | 450mm         |
| <b>KB 50 200</b> : | 430mm        | 500mm         |
| <b>KB 55 200</b> : | 480mm        | 550mm         |
| <b>KB 60 200</b> : | 530mm        | 600mm         |
| <b>KB 90 200</b> : | 830mm        | 900mm         |

## Fitments



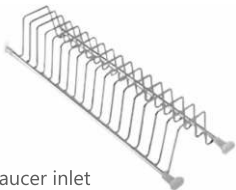
Partition Inlet 100mm  
KB PI100



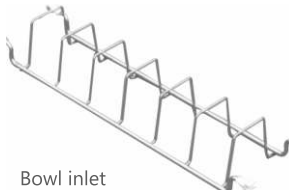
Partition Inlet 150mm  
KB PI150



Partition Inlet 200mm  
KB PI200



Saucer inlet  
KB SI



Bowl inlet  
KB WI

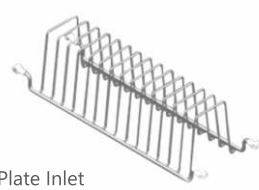
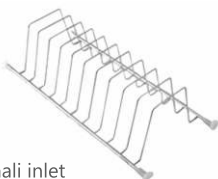
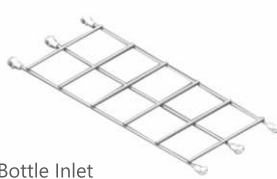


Plate Inlet  
KB PLI



Thali inlet  
KB THI



Bottle Inlet  
KB BTI



Undermount Runner cover, pair  
IN4CVRFTNG

## HARDWARE & DRAWER SYSTEMS



### KBOX DWD

#### Double Wall Standard Drawer System (84mm Height)



- Equipped with concealed, synchronized full extension slide
- Drawers are available in Grey and White colour
- Tool free front assembly
- 2-dimensional front adjustment up/down, left/right
- Includes integrated SLOW MOTION for silent and effortless closing action
- Dynamic load capacity: Upto 45kg
- Recommended drawer width 300 - 900mm, 1000 - 1200mm with stabilizer only

#### Order information - 84mm Height Standard Drawer for Wooden Drawer Back, set packing



|                     | White-WH<br>Set Packing   | Grey-GR<br>Set Packing  |
|---------------------|---|---|
|                     |  |  |
| <b>LENGTH/DEPTH</b> | <b>Product Code</b>   | <b>Product Code</b>   |
| 450 mm              | <b>KBXSC45-WHT84</b>  | <b>KBXSC45-GR84</b>   |
| 500 mm              | <b>KBXSC50-WHT84</b>  | <b>KBXSC50-GR84</b>   |

#### Double Wall Single Gallery Drawer System (167mm Height)



- Equipped with concealed, synchronized full extension slide
- Drawers are available in Grey and White colour
- Tool free front assembly
- 3-dimensional front adjustment up/ down, left/right
- Includes integrated SLOW MOTION for silent and effortless closing action
- Dynamic load capacity: Upto 45kg
- Recommended drawer width 300-900mm, 1000 - 1200mm with stabilizer only

#### Order information - 167mm Height Gallery Drawer with Single Rectangular Railing for Wooden Drawer Back, set packing

|                     | White-WH<br>Set Packing   | Grey-GR<br>Set Packing  |
|---------------------|---|---|
|                     |  |  |
| <b>LENGTH/DEPTH</b> | <b>Product Code</b>   | <b>Product Code</b>   |
| 450 mm              | <b>KBXSC45-WHT167</b>   | <b>KBXSC45-GR167</b>  |
| 500 mm              | <b>KBXSC50-WHT167</b>   | <b>KBXSC50-GR167</b>  |






# KBOXDWD

## Double Wall Double Gallery Drawer System (199mm Height)



- Equipped with concealed, synchronized full extension slide
- Drawers are available in Grey and White colour
- Tool free front assembly
- 3-dimensional front adjustment up/ down, left/right
- Includes integrated SLOW MOTION for silent and effortless closing action
- Dynamic load capacity: Upto 50kg
- Recommended drawer width 300-900mm, 1000 - 1200mm with stabilizer only

### Order information - 199mm Height Gallery Drawer with Double Rectangular Railing for Wooden Drawer Back, set packing

|                     |  <b>White-WH</b><br>Set Packing | <b>Grey-GR</b><br>Set Packing   |
|---------------------|--|---|
| <b>LENGTH/DEPTH</b> |  <b>Product Code</b>            |  <b>Product Code</b> |
| 450 mm              | <b>KBXSC45-WHT199</b>  | <b>KBXSC45-GR199</b>  |
| 500 mm              | <b>KBXSC50-WHT199</b>  | <b>KBXSC50-GR199</b>  |

## H BOX DWD

### Slim Wall Drawer System (100mm Height)



- Length: Only 500mm
- The drawer side-board is 100mm high
- Drawer width can be designed freely with automatic error adjustment
- Hidden full pullout silent sliding skid can bear 45kg and enjoys excellent stability and quiet and smooth sliding performance
- Quick installation and dismantle
- Newly designed built-in damper is free from reinstallation and ensures soft and smooth drawer movements

| Length/Depth | Product Code      | Length/Depth | Product Code     |
|--------------|-------------------|--------------|------------------|
| 500 mm       | HBXPSC 50 WHT 100 | 500 mm       | HBXPSC 50 GR 100 |

### Double Wall Drawer System (183mm Height)



- Length: Only 500mm
- The drawer side-board is 183mm high
- Drawer width can be designed freely with automatic error adjustment
- Hidden full pullout silent sliding skid can bear 45kg and enjoys excellent stability and quiet and smooth sliding performance
- Quick installation and dismantle
- Newly designed built-in damper is free from reinstallation and ensures soft and smooth drawer movements

| Length/Depth | Product Code      | Length/Depth | Product Code     |
|--------------|-------------------|--------------|------------------|
| 500 mm       | HBXPSC 50 WHT 183 | 500 mm       | HBXPSC 50 GR 183 |

### Double Wall Drawer System (215mm Height)



- Length: Only 500mm
- The drawer side-board is 215mm high
- Drawer width can be designed freely with automatic error adjustment
- Hidden full pullout silent sliding skid can bear 50kg and enjoys excellent stability and quiet and smooth sliding performance
- Quick installation and dismantle
- Newly designed built-in damper is free from reinstallation and ensures soft and smooth drawer movements


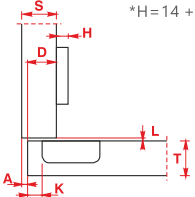

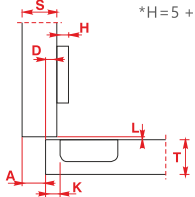

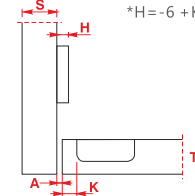
| Length/Depth | Product Code      | Length/Depth | Product Code     |
|--------------|-------------------|--------------|------------------|
| 500 mm       | HBXPSC 50 WHT 215 | 500 mm       | HBXPSC 50 GR 215 |



# HINGE

## 3D Hinge : Clip on soft close


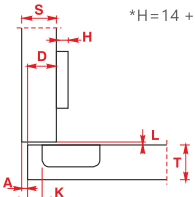

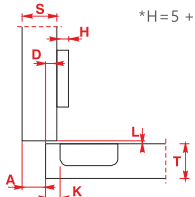

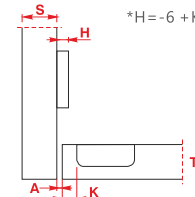
Upto 105° opening soft closing hinge

|   |   |                     |            |    |
|---|---|---------------------|------------|----|
|  <p>Full overlay C=0</p> |  <p>*H=14 + K -(D)</p>   | Soft-close          | KHSC 3D-0  | 50 |
|   |   | Steel Nickel Plated |            |    |
|  <p>Half overlay C=9</p> |  <p>*H=5 + K -(D)</p>    | Steel Nickel Plated | KHSC 3D-8  | 50 |
|   |   | Soft-close          |            |    |
|  <p>Inset C=18</p>     |  <p>*H=-6 + K +(A)</p> | Steel Nickel Plated | KHSC 3D-15 | 50 |
|   |   | Soft-close          |            |    |

Standard Mounting Plate Height KHSC 3D-0, KHSC 3D-8, KHSC 3D-15: 0mm

## 3D Hinge : Clip on soft close


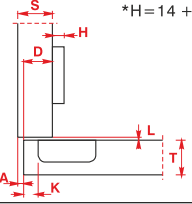

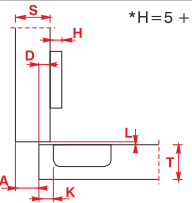

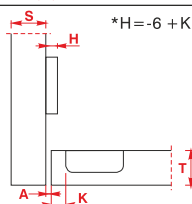
Upto 105° opening soft closing hinge (Black Finish)

|   |   |                           |               |    |
|---|---|---------------------------|---------------|----|
|  <p>Full overlay C=0</p> |  <p>*H=14 + K -(D)</p> | Soft-close                | KHSC 3D BL-0  | 50 |
|   |   | Steel Black Nickel Plated |               |    |
|  <p>Half overlay C=9</p> |  <p>*H=5 + K -(D)</p>  | Steel Black Nickel Plated | KHSC 3D BL-8  | 50 |
|   |   | Soft-close                |               |    |
|  <p>Inset C=18</p>       |  <p>*H=-6 + K +(A)</p> | Steel Black Nickel Plated | KHSC 3D BL-15 | 50 |
|   |   | Soft-close                |               |    |

Standard Mounting Plate Height KHSC 3D BL-0, KHSC 3D BL-8, KHSC 3D BL-15: 0mm

## Clip on soft close stainless steel (304) hinge 105°


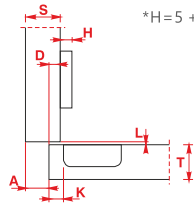

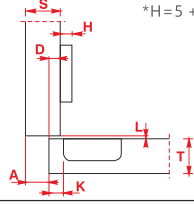

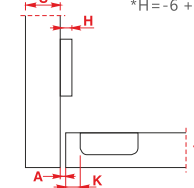
Upto 105° opening soft closing hinge

|   |  |                        |           |    |
|---|--|------------------------|-----------|----|
|  <p>Full overlay C=0</p> |  <p><math>*H=14 + K - (D)</math></p>  | Soft-close             | KHSC0-SS  | 50 |
|   |  | Stainless Steel Plated |           |    |
|  <p>Half overlay C=9</p> |  <p><math>*H=5 + K - (D)</math></p>   | Soft-close             | KHSC8-SS  | 50 |
|   |  | Stainless Steel Plated |           |    |
|  <p>Inset C=18</p>      |  <p><math>*H=-6 + K + (A)</math></p> | Soft-close             | KHSC15-SS | 50 |
|   |  | Stainless Steel Plated |           |    |

Standard Mounting Plate Height KHSC0, KHSC8, KHSC15: 0mm

## Clip on nickle plated soft close hinge 105°

Upto 105° opening soft closing hinge


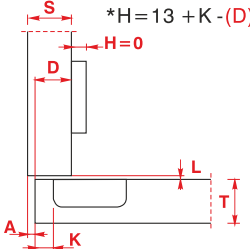
|   |   |                     |         |    |
|---|---|---------------------|---------|----|
|  <p>Half overlay C=9</p> |  <p><math>*H=5 + K - (D)</math></p>  | Steel Nickel Plated | KHSC-0  | 50 |
|   |   | Soft-close          |         |    |
|  <p>Half overlay C=9</p> |  <p><math>*H=5 + K - (D)</math></p>  | Steel Nickel Plated | KHSC-8  | 50 |
|   |   | Soft-close          |         |    |
|  <p>Inset C=18</p>       |  <p><math>*H=-6 + K + (A)</math></p> | Steel Nickel Plated | KHSC-15 | 50 |
|   |   | Soft-close          |         |    |

Standard Mounting Plate Height KHSC0, KHSC8, KHSC15: 0mm



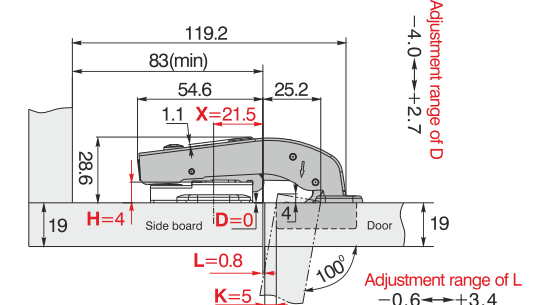

## Clip-on soft-close hinge 175°

Upto 175° opening 35mm dia soft closing hinge

|   |   |            |               |
|---|---|------------|---------------|
|  <p>Full overlay C=0</p> |  <p>*H=13 + K -(D)<br/>H=0</p> | Code No.   | Pairs/<br>ctn |
|   |   | Soft-close |               |
| Steel<br>Nickel<br>Plated   |   |            |               |


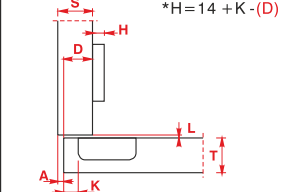

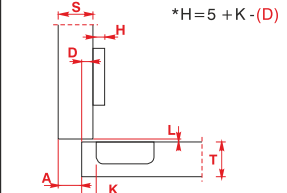

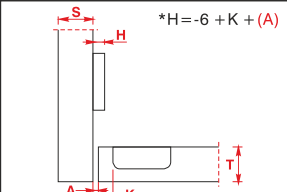
## Clip on soft close corner hinge

Upto 90° opening 35mm dia soft closing corner hinge

|  |  |            |           |
|--|--|------------|-----------|
|  |  <p>90°</p> | Code No.   | Pairs/ctn |
|  |  | Soft-close |           |

## Clip on Soft Close Hinge


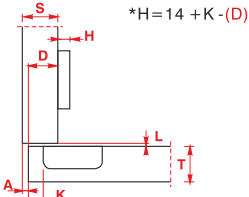

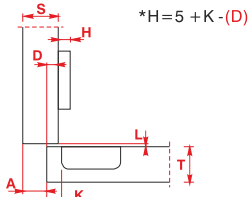

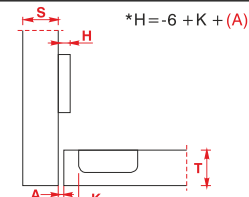
Upto 105° opening clip on hinge

|   |   |                           |           |       |
|---|---|---------------------------|-----------|-------|
|  <p>Full overlay C=0</p> |  <p>*H=14 + K -(D)</p> | Item No.                  | Pairs/ctn |       |
|   |   | Soft-close                |           | HDH-0 |
| Steel<br>Nickel<br>Plated   |   |                           |           |       |
|  <p>Half overlay C=9</p> |  <p>*H=5 + K -(D)</p>  | Steel<br>Nickel<br>Plated | HDH-8     | 50    |
|   |   | Soft-close                |           |       |
|  <p>Inset C=18</p>       |  <p>*H=-6 + K +(A)</p> | Steel<br>Nickel<br>Plated | HDH-15    | 50    |
|   |   | Soft-close                |           |       |

Standard Mounting Plate Height HDH0, HDH8, HDH15: 0mm




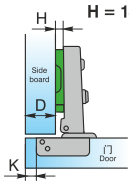

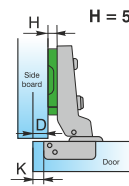

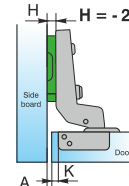
## Soft Close Hinge

|   |   |                     |        |     |
|---|---|---------------------|--------|-----|
|  <p>Full overlay C=0</p> |  <p>*H = 14 + K - (D)</p>  | Soft-close          | HSC-0  | 100 |
|   |   | Steel Nickel Plated |        |     |
|  <p>Half overlay C=9</p> |  <p>*H = 5 + K - (D)</p>   | Soft-close          | HSC-8  | 100 |
|   |   | Steel Nickel Plated |        |     |
|  <p>Inset C=18</p>     |  <p>*H = -6 + K + (A)</p> | Soft-close          | HSC-15 | 100 |
|   |   | Steel Nickel Plated |        |     |

Standard Mounting Plate Height HSC0, HSC8, HSC15: 0mm

## Clip on Auto Close Hinge


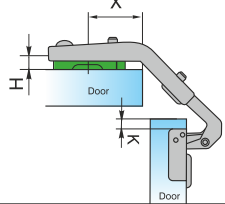

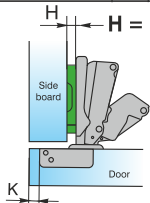

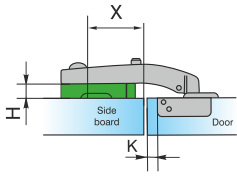
Upto 105° opening 35mm standard auto closing hinge

|   |   |                     |
|---|---|---------------------|
|  <p>Full overlay C=0</p> |  <p>H = 14 + K - D</p> | Steel Nickel Plated |
|   |   | KH001A              |
|  <p>Half overlay C=9</p> |  <p>H = 5 + K - D</p>  | Steel Nickel Plated |
|   |   | KH002A              |
|  <p>Inset C=18</p>       |  <p>H = -2 + K + A</p> | Steel Nickel Plated |
|   |   | KH003A              |
|   |   | Pairs/carton 100    |

Standard Mounting Plate Height KH001A, KH002A, KH003A: (-)2mm


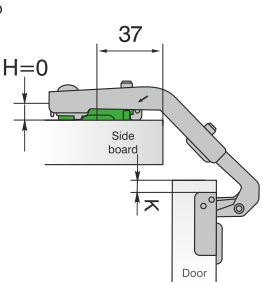


## Corner Hinge 35mm Dia

|  |  |   |
|--|--|---|
| <p>Slide-on hinge pie corner 135°</p>                             |   | <p>Steel Nickel Plated</p> <p>KH-004A</p> <p>Pairs/carton<br/>100</p> |
| <p>Slide-on auto closing hinge wide angle 175° full over lay</p>  |   | <p>Steel Nickel Plated</p> <p>KH-005A</p> <p>Pairs/carton<br/>50</p>  |
| <p>Slide-on auto closing hinge blind corner 90°</p>              |  | <p>Steel Nickel Plated</p> <p>KH-006A</p> <p>Pairs/carton<br/>50</p>  |

Standard Mounting Plate Height KH004A, KH005A: (-)2mm, KH006A: 4mm

## Upto 135° opening 35mm dia soft closing corner hinge

|   |   |  |
|---|---|--|
|  <p>135°</p> |  | <p>Code No.</p> <p>KH-BF</p> <p>Steel Nickel Plated</p> <p>Pairs/ctn: 50</p> <p>MRP/pair<br/>545</p> |
|---|---|--|

Standard Mounting Plate Height KHSCBC: 4mm, KF-BF: 0mm

## Gas Spring

### Normal profile gas spring (Silver finish)

Gas Spring (10 inch, Silver, Fitting, 5 Screws)

|   |         |            |
|---|---------|------------|
|  | KGLS6N  | Force 60N  |
|   | KGLS8N  | Force 80N  |
|   | KGLS10N | Force 100N |
|   | KGLS12N | Force 120N |
|   | KGLS15N | Force 150N |

## BB SLIDE

### Ball Bearing Runners 45kg Zinc - KTP & KTPB (1.2x1.2x1.5 mm)

★ PREMIUM QUALITY



- Precision full-extension slide with 5 ball bearing, weight capacity 45kg
- Using a release lever, the drawer can be detached from the slide and thus removed and re-fitted with ease.
- Smooth action and high side stability through precision slide
- For wooden drawers with grooved, rebated or loosely fitted bases
- Zinc plated steel/black

| Item No. Black | Item No. Black | Slide Length | A mm | B mm | C mm | D mm | E mm | L mm | L1 mm |
|----------------|----------------|--------------|------|------|------|------|------|------|-------|
| KTP-10         | KTPB-10        | 250          | 35.9 | 160  |      | 64   | 160  | 250  | 247   |
| KTP-12         | KTPB-12        | 300          | 35.9 | 224  |      | 64   | 192  | 300  | 297   |
| KTP-14         | KTPB-14        | 350          | 35.9 | 128  | 256  | 64   | 192  | 350  | 347   |
| KTP-16         | KTPB-16        | 400          | 35.9 | 160  | 320  | 64   | 224  | 400  | 397   |
| KTP-18         | KTPB-18        | 450          | 35.9 | 160  | 352  | 64   | 288  | 450  | 447   |
| KTP-20         | KTPB-20        | 500          | 35.9 | 192  | 416  | 64   | 352  | 500  | 497   |
| KTP-22         | KTPB-22        | 550          | 35.9 | 224  | 448  | 64   | 384  | 550  | 547   |
| KTP-24         | KTPB-24        | 600          | 35.9 | 256  | 512  | 64   | 448  | 600  | 597   |

### Full Extension Telescopic Runners - KTB & KTX (1.0x1.0x1.2 mm)



Dotted anti scratch finish

- Precision full-extension slide, weight capacity 45kgs
- Using a release lever, the drawer can be detached from the slide and thus removed and re-fitted with ease.
- Smooth action and high side stability through precision slide
- For wooden drawers & wire baskets
- Zinc plated steel
- High quality Nylon bush

| Code  | Code  | Slide Length mm                                      |           |             |             |             |             |             |             |             |             |
|-------|-------|--|-----------|-------------|-------------|-------------|-------------|-------------|-------------|-------------|-------------|
|       |       | A $\begin{smallmatrix} +0 \\ -0.5 \end{smallmatrix}$ | B $\pm 3$ | C $\pm 0.5$ | D $\pm 0.3$ | E $\pm 0.3$ | F $\pm 0.3$ | G $\pm 0.3$ | H $\pm 0.3$ | I $\pm 0.3$ | J $\pm 0.3$ |
| KTB10 | KTX10 | 250  | 253       | 247         |             | 98          |             |             | 34          | 160         |             |
| KTB12 | KTX12 | 300  | 303       | 397         |             | 128         |             |             | 34          | 96          | 128         |
| KTB14 | KTX14 | 350  | 353       | 347         | 160         |             |             |             | 34          | 96          | 160         |
| KTB16 | KTX16 | 400  | 403       | 497         |             |             | 160         | 224         | 34          | 128         | 192         |
| KTB18 | KTX18 | 450  | 453       | 447         | 160         |             | 288         |             | 34          | 160         | 192         |
| KTB20 | KTX20 | 500  | 503       | 597         | 160         |             | 288         | 352         | 34          | 192         | 224         |
| KTB22 | KTX22 | 550  | 553       | 547         | 160         |             | 320         | 384         | 34          | 192         | 256         |
| KTB24 | KTX24 | 550  | 603       | 697         | 160         | 288         | 384         | 448         | 34          | 224         | 288         |



## Ball Bearing Telescopic Runners - ZTP & BTP (1.0x1.0x1.2mm)



- Using a release lever, the drawer can be detached from the slide and thus removed and re-fitted with ease.
- Smooth action and high side stability through precision slide
- For wooden drawers & wire baskets
- Zinc plated steel and with black finish
- High quality Nylon bush

|       |       | Slide Length mm                                      |           |             |             |             |             |             |             |             |             |
|-------|-------|--|-----------|-------------|-------------|-------------|-------------|-------------|-------------|-------------|-------------|
| Code  | Code  | A $\begin{smallmatrix} +0 \\ -0.5 \end{smallmatrix}$ | B $\pm 3$ | C $\pm 0.5$ | D $\pm 0.3$ | E $\pm 0.3$ | F $\pm 0.3$ | G $\pm 0.3$ | H $\pm 0.3$ | I $\pm 0.3$ | J $\pm 0.3$ |
| ZTP10 | BTP10 | 250  | 253       | 247         |             | 98          |             |             | 34          | 160         |             |
| ZTP12 | BTP12 | 300  | 303       | 397         |             | 128         |             |             | 34          | 96          | 128         |
| ZTP14 | BTP14 | 350  | 353       | 347         | 160         |             |             |             | 34          | 96          | 160         |
| ZTP16 | BTP16 | 400  | 403       | 497         |             |             | 160         | 224         | 34          | 128         | 192         |
| ZTP18 | BTP18 | 450  | 453       | 447         | 160         |             | 288         |             | 34          | 160         | 192         |
| ZTP20 | BTP20 | 500  | 503       | 597         | 160         |             | 288         | 352         | 34          | 192         | 224         |
| ZTP22 | BTP22 | 550  | 553       | 547         | 160         |             | 320         | 384         | 34          | 192         | 256         |
| ZTP24 | BTP24 | 550  | 603       | 697         | 160         | 288         | 384         | 448         | 34          | 224         | 288         |

## Full Extension Soft Close Telescopic Runners - KTSC (1.2x1.2x1.5mm)



- Load capacity:45kg
- Lengths:300-600mm
- Soft-close
- Single way travel
- Finish:Blue zinc plated(B02), Black(D01)

| Item no.<br>Zinc | Length | Travel | Hole pattern |     |    |     |     | pair/ctn |
|------------------|--------|--------|--------------|-----|----|-----|-----|----------|
|                  |        |        | A            | B   | C  | D   | E   |          |
| KTSC-10          | 350    | 450    | 352          | 160 | 64 | 224 |     | 10       |
| KTSC-12          | 350    | 450    | 352          | 160 | 64 | 224 |     | 10       |
| KTSC-14          | 350    | 450    | 352          | 160 | 64 | 224 |     | 10       |
| KTSC-16          | 400    | 500    | 416          | 192 | 64 | 256 |     | 10       |
| KTSC-18          | 450    | 550    | 448          | 224 | 64 | 224 | 320 | 10       |
| KTSC-20          | 500    | 500    | 416          | 192 | 64 | 256 |     | 10       |
| KTSC-22          | 550    | 550    | 448          | 224 | 64 | 224 | 320 | 10       |
| KTSC-24          | 550    | 550    | 448          | 224 | 64 | 224 | 320 | 10       |

## SINKS INSPIRING KITCHENS



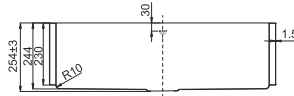
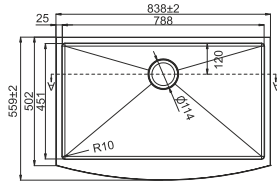
Apron Sinks | Handmade Stainless Steel Sinks | Double drawn Sinks | Granite Sinks



## Series Ashford

### Handmade Stainless Steel Apron Sinks

#### KSA 83 SB (R10)



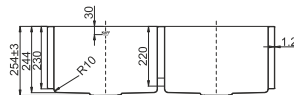
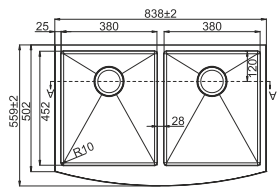
#### Dimensions

- Over All Size : 838 x 559 (mm)  
(33" x 22")
- Bowl Size : 788 x 451 x 254 (mm)  
(31" x 18" x 10")
- Depth : 254 mm (10")
- Radius : R10

#### Features:-

- Handmade single bowl SS apron sink
- With sound reduction pad on bottom & all sides
- With anti condensation coating
- With siphon and pipe

#### KSA 83 DB (R10)



#### Dimensions

- Over All Size : 838 x 559 (mm)  
(33" x 22")
- Bowl Size : 380 x 452 x 254 (mm)  
(15" x 18" x 10")
- Depth : 254 mm (10")
- Radius : R10

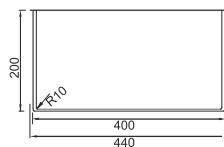
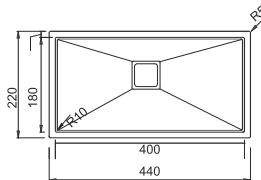
#### Features:-

- Handmade double bowl stainless steel apron sink
- With sound reduction pad on bottom & all sides
- With anti condensation coating
- With siphon and pipe

## Bar Sink (R10)

### Handmade Stainless Steel Sinks (Radius R10)

#### KS 22 SB (R10)



#### Dimensions

- Over All Size : 220 x 440 (mm)  
(9" x 17")
- Bowl Size : 180 x 400 x 200 (mm)  
(7" x 16" x 8")
- Depth : 200mm (8")
- Radius : R10

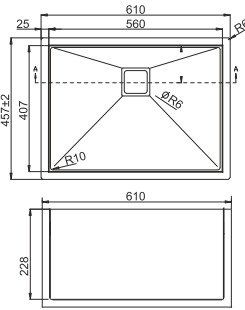
#### Features:-

- Handmade single bowl stainless steel sink
- With sound reduction pad on bottom & all sides
- With anti condensation coating
- With siphon and pipe

## Series Marco

### Handmade Stainless Steel Sinks (Radius R10)

#### KS 610 SB (R10)



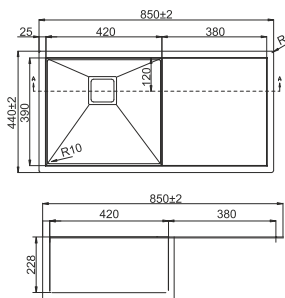
#### Dimensions

- Over All Size : 610 x 457 (mm) (24" x 18")
- Bowl Size : 560 x 407 x 228 (mm) (22" x 16" x 9")
- Depth : 228 mm (9")
- Radius : R10

#### Features:-

- Handmade single bowl stainless steel sink
- With sound reduction pad on bottom & all sides
- With anti condensation coating
- With siphon and pipe

#### KS 850 SBD (R10)



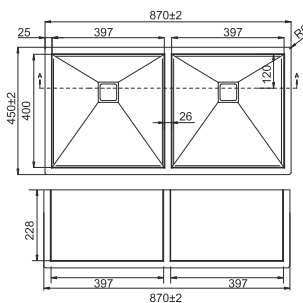
#### Dimensions

- Over All Size : 850 x 440 (mm) (34" x 17")
- Bowl Size : 420 x 390 x 228 (mm) (17" x 16" x 9")
- Depth : 228 mm (9")
- Radius : R10

#### Features:-

- Handmade single bowl with drain board stainless steel sink
- With Sound reduction pad on bottom & all sides
- With anti condensation coating
- With Siphon and pipe

#### KS 870 DB (R10)



#### Dimensions

- Over All Size : 870 x 450 (mm) (34" x 18")
- Bowl Size : 397 x 400 x 228 (mm) (16" x 16" x 9")
- Depth : 228mm (9")
- Radius : R10

#### Features:-

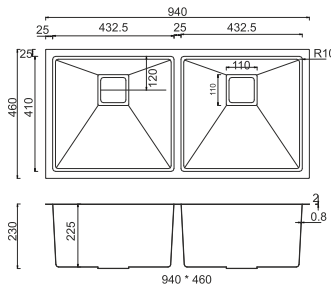
- Handmade double bowl stainless steel sink
- With sound reduction pad on bottom & all sides
- With anti condensation coating
- With siphon and pipe



## Series Marco

### Handmade Stainless Steel Sinks (Radius R10)

#### KS 940 DB-R10



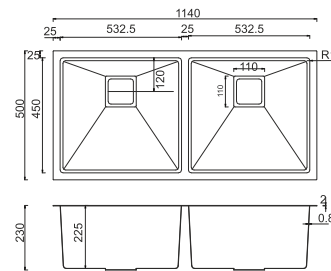
#### Dimensions

- Over All Size : 940 x 460 (mm)  
(37" x 18")
- Bowl Size : 432.5 x 410 x 230(mm)  
(17" x 16" x 9")
- Depth : 230mm (9")
- Radius : R10

#### Features:-

- Handmade Double bowl stainless steel sink
- With sound reduction pad on bottom & all sides
- With anti condensation coating
- With siphon and pipe

#### KS 114 DB (R10)



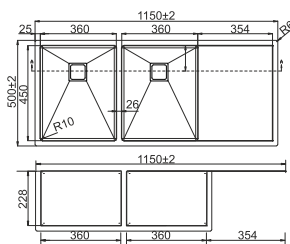
#### Dimensions

- Over All Size : 1140 x 500 (mm)  
(44" x 20")
- Bowl Size : 532 x 450 x 225 (mm)  
(20" x 18" x 9")
- Depth : 225mm (9")
- Radius : R10

#### Features:-

- Handmade double bowl stainless steel sink
- With sound reduction pad on bottom & all sides
- With anti condensation coating
- With siphon and pipe

#### KS 115 DBD (R10)



#### Dimensions

- Over All Size : 1150 x 500 (mm)  
(45" x 20")
- Bowl Size : 360 x 450 x 228 (mm)  
(14" x 18" x 9")
- Depth : 228 mm (9")
- Radius : R10

#### Features:-

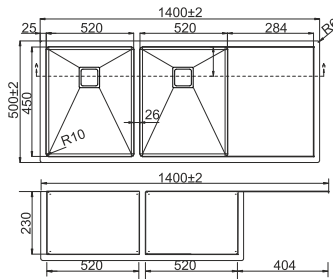
- Handmade double bowl with drainboard stainless steel sink
- With sound reduction pad on bottom & all sides
- With anti condensation coating
- With siphon and pipe



## Series Marco

### Handmade Stainless Steel Sinks (Radius R10)

#### KS 140 DBD (R10)



#### Dimensions

- Over All Size : 1400 x 500 (mm)  
(55" x 20")
- Bowl Size : 520 x 450 x 230 (mm)  
(20" x 18" x 9")
- Depth : 230 mm (9")
- Radius : R10

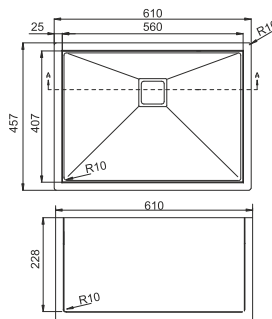
#### Features:-

- Handmade Double bowl with drainboard stainless steel sink
- With sound reduction pad on bottom & all sides
- With anti condensation coating
- With siphon and pipe

## Series Carra

### Handmade Stainless Steel Sinks (Radius R10) PVD Black Steel

#### KSBL 610 SB (R10)



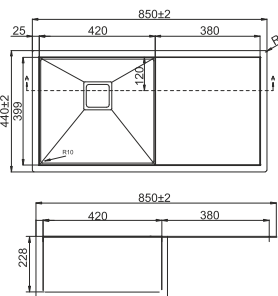
#### Dimensions

- Over All Size : 610 x 457 (mm)  
(24" x 18")
- Bowl Size : 560 x 407 x 228  
(mm) (22" x 16" x 9")
- Depth : 228 mm (9")
- Radius : R10

#### Features:-

- Handmade single bowl stainless steel black sink
- With sound reduction pad on bottom & all sides
- With anti condensation coating
- With siphon and pipe

#### KSBL 850 SBD (R10)



#### Dimensions

- Over All Size : 850 x 440 (mm)  
(34" x 17")
- Bowl Size : 420 x 390 x 228 (mm)  
(17" x 16" x 9")
- Depth : 228 mm (9")
- Radius : R10

#### Features:-

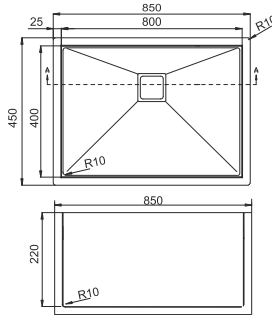
- Handmade single bowl with drain board stainless steel black sink
- With Sound reduction pad on bottom & all sides
- With anti condensation coating
- With Siphon and pipe



## Series Carra

### Handmade Stainless Steel Sinks (Radius R10) PVD Black Steel

#### KSBL 850 SB (R10)



#### Dimensions

- Over All Size : 850 x 450 (mm)  
(34" x 18")
- Bowl Size : 800 x 400 x 220 (mm)  
(31" x 16" x 9")
- Depth : 220 mm (9")
- Radius : R10

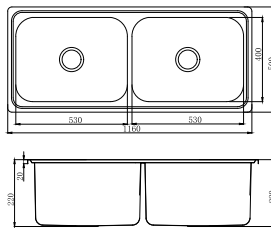
#### Features:-

- Double bowl stainless steel sink
- With sound reduction pad on bottom & all sides
- With anti condensation coating
- With siphon and pipe

## Series Olivia

### Double Drawn Stainless Steel Sinks

#### KSD 116 DB



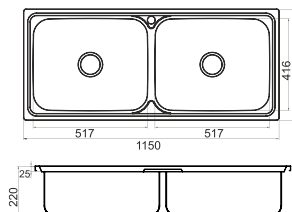
#### Dimensions

- Over All Size : 1160 x 500 (mm)  
(46" x 20")
- Bowl Size : 530 x 416 x 220 (mm)  
(21" x 16" x 9")
- Depth : 220 mm (9")

#### Features:-

- Double bowl stainless steel sink
- With sound reduction pad on bottom & all sides
- With anti condensation coating
- With siphon and pipe

#### KSD 115 DB



#### Dimensions

- Over All Size : 1150 x 500 (mm)  
(45" x 20")
- Bowl Size : 517 x 416 x 220 (mm)  
(20" x 16" x 9")
- Depth : 220 mm (9")

#### Features:-

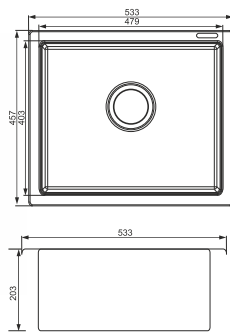
- Double bowl stainless steel sink
- With sound reduction pad on bottom & all sides
- With anti condensation coating
- With siphon and pipe

## Series Casso

### Granite Sinks



#### KSG 21 SB BLK



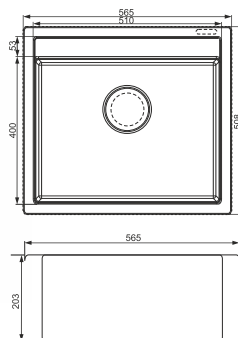
#### Dimensions

- Over All Size : 533 x 457 (mm)  
(21" x 18")
- Bowl Size : 478 x 403 x 203 (mm)  
(19" x 16" x 8")
- Depth : 203 mm (8")

#### Features:-

- Single bowl granite sink
- Heat resistance: stays intact on contact with hot objects
- Resistance to chemicals: does not discolour even with strong chemical cleaners.
- Easy to clean: coffee or red wine leaves no stain
- Scratching resistance: resistant to scratches, marks & wear.

#### KSG 22 SB BLK



#### Dimensions

- Over All Size : 565 x 508 (mm)  
(22" x 20")
- Bowl Size : 510 x 400 x 203 (mm)  
(20" x 16" x 8")
- Depth : 203 mm (8")

#### Features:-

- Single bowl granite sink
- Heat resistance: stays intact on contact with hot objects
- Resistance to chemicals: does not discolour even with strong chemical cleaners.
- Easy to clean: coffee or red wine leaves no stain
- Scratching resistance: resistant to scratches, marks & wear.



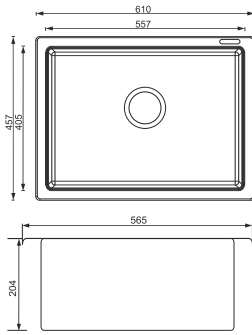
## Series Casso

### Granite Sinks

#### KSG 24 SB BG/BLK



Available colour: ● ●



#### Dimensions

- Over All Size : 610 x 457 (mm) (24" x 18")
- Bowl Size : 557 x 405 x 204 (mm) (22" x 16" x 8")
- Depth : 204 mm (8")

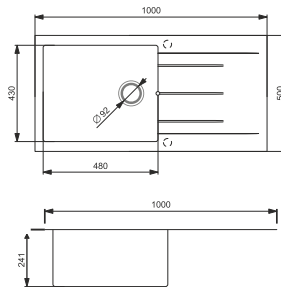
#### Features:-

- Single bowl granite sink
- Heat resistance: stays intact on contact with hot objects
- Resistance to chemicals: does not discolour even with strong chemical cleaners.
- Easy to clean: coffee or red wine leaves no stain
- Scratching resistance: resistant to scratches, marks & wear.

#### KSG 40 SDB BLK/BG/GR



Available colour: ● ● ●



#### Dimensions

- Over All Size : 1000 x 500 (mm) (39" x 20")
- Bowl Size : 480 x 430 x 241 (mm) (19" x 17" x 9")
- Depth : 241 mm (9")

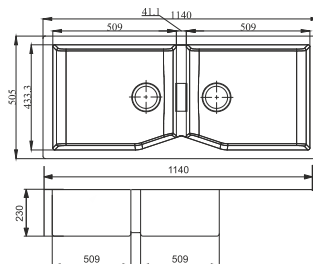
#### Features:-

- Single bowl with drainboard granite sink
- Heat resistance: stays intact on contact with hot objects
- Resistance to chemicals: does not discolour even with strong chemical cleaners.
- Easy to clean: coffee or red wine leaves no stain
- Scratching resistance: resistant to scratches, marks & wear.

#### KSG 45 DB BLK/BG/GR



Available colour: ● ● ●



#### Dimensions

- Over All Size : 1140 x 505 (mm) (45" x 20")
- Bowl Size : 509 x 433 x 230 (mm) (20" x 17" x 8")
- Depth : 230 mm (8")

#### Features:-

- Double bowl granite sink
- Heat resistance: stays intact on contact with hot objects
- Resistance to chemicals: does not discolour even with strong chemical cleaners.
- Easy to clean: coffee or red wine leaves no stain
- Scratching resistance: resistant to scratches, marks & wear.

## Recommended Accessories



**Rollmat**

**KSRMT**

Stainless Steel 304 Grade

Size : 450 x 310 mm (W x D )



**Crockery Basket**

**CRBT**

Stainless Steel 304 Grade

Wire Basket





# KAFF

KAFF APPLIANCES (INDIA) PVT LTD

## Corporate Office - North

SS Plaza, 4th Floor, Opp. Hilton Garden Inn. Sec-47  
Gurgaon - 122018  
Tel.: 0124 - 2873000 (90 Lines)

## Regional Office South

**Karnataka:** 080-40948668, Mob: 09999872509

**Kerala:** 09447974075

**Telangana:** 09999872792

## Regional Office cum Experience Centre

**Tamilnadu :** No. 229, Royal Park, First Floor  
Konnur High Road, Ayanavaram,  
Chennai - 600 023  
Tel.: 044 - 45090292/293/294  
Mob.: 09999530856

## West: Mumbai

Tel.: 022 - 40213481/82 Mob.: 983355634

## East: Kolkata

Mob.: 09999800514

## Exclusive Brand Store

### DELHI :

#### Saket :

Shop No-25 Ground Floor, MG Metropolitan Mall,  
Saket, New Delhi - 110017, Mob.: 07838333694

**Kotla Mubarakpur :** 099991 34238

**Hari Nagar Jail Road :** 09873193042

**Jagatpuri :** 099990 17904

### Gurgaon

S S Plaza, 3rd Floor, Opp. Hilton Garden Inn. Sector - 47,  
Gurgaon - 122101, Mob.: 09910990140

### Mumbai :

13 Ground Floor, Laxmi Industrial Estate New Link Road,  
Andheri (west), Mumbai -400058, Mob.: 07738546777

### Mumbai Worli:

46, Ground Floor, Atria Mall, Dr. Annie Besant Road  
Opp Poonam Chamber, Worli, Mumbai - 400 018  
Mob.: 07710 072 059

### Bangalore :

Sri Hanuman, No.374/b, 1st Floor, 80 Feet Road,  
12th Main Srinivasanagar, Near SBM Colony Bus Stop,  
BSK 1 St Stage, 2nd Block, Bangalore – 560 050.  
Mob.: 8588855854

### Chennai :

229. Royal Park, First Floor, Konnur High Road,  
Ayanavaram, Chennai – 600023

Phone: 044-45090292-293, Mob.: 9500088060

**Ashok Nagar :** 09999017604, 09171843782, 08610709003

### Kolkata :

A-206, 2nd Floor, City Centre-II, New Town, Rajarhat,  
Kolkata – 700156, Mob.: 7980716120, 7603087636

**Cochin :** 0484-4016180, 8129198666, 09447974075

**Ahmedabad :** 09311299719

**Surat :** 08448046100

**Hyderabad :** 09999872792

Visit us at: [www.kaff.in](http://www.kaff.in)

Kaff Care: [customercare@kaff.in](mailto:customercare@kaff.in)

Toll Free - 1800-180-2221

sms KAFF at 56677

ISO 9001:2008



Follow us at



In keeping with our policy of continuous product upgradations, specifications, design and material may change without prior notice.  
No part of this catalogue, whole or in part, may be reproduced or utilized in any form or by any means without written consent from Kaff Appliances  
(India) Pvt. Ltd. © 2022-23

\*Configurations shown in the picture may differ with the actual product.